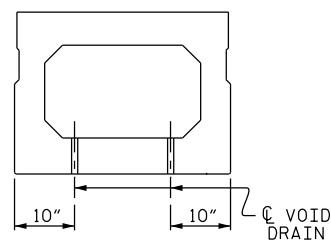


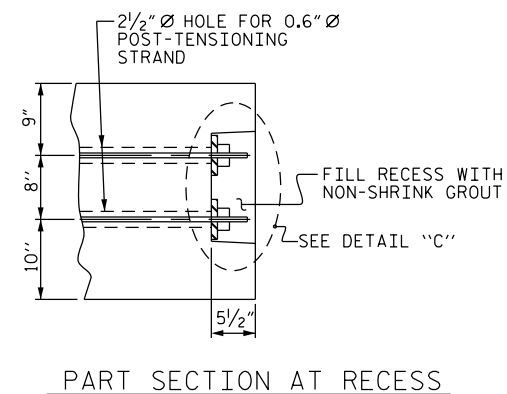
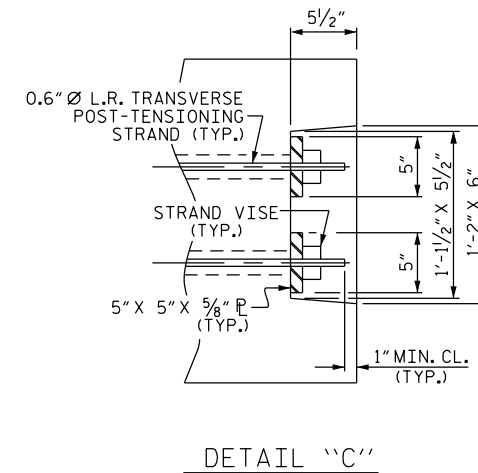
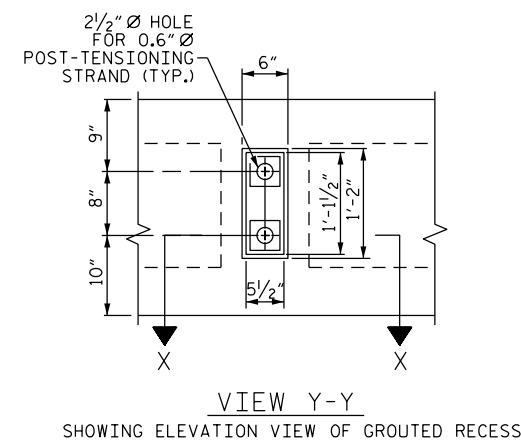
DOUBLE DIAPHRAGM DETAILS

*4 "S" BARS NOT SHOWN. *4 "S" BARS MAY BE SHIFTED SLIGHTLY TO CLEAR 2 1/2" Ø HOLE.



VOID DRAIN DETAILS

(DIMENSIONS SHOWN ARE TYPICAL FOR EACH VOID)



SHOWING PLAN VIEW OF GROUTED RECESS

GROUTED RECESS DETAIL AT
END OF POST-TENSIONED STRANDS
OF EXTERIOR BOX BEAM

DEAD LOAD DEFLECTION AND CAMBER			
	3'-0" x 2'-3"		
	0.6" Ø L.R. STRAND		
	SPAN "A"	SPAN "B"	SPAN "C"
CAMBER (BEAM ALONE IN PLACE)			
DEFLECTION DUE TO CONCRETE WEARING SURFACE			
FINAL CAMBER			

PROJECT NO. _____

_____ COUNTY

STATION: _____

SHEET _ OF _

STATE OF NORTH CAROLINA
DEPARTMENT OF TRANSPORTATION
RALEIGH
STANDARD
3'-0" X 2'-3"
PRESTRESSED CONCRETE
BOX BEAM UNIT

ASSEMBLED BY :	DATE :
CHECKED BY :	DATE :
DRAWN BY : TLA 5/05	REV. 5/1/06 TLA/GM
CHECKED BY : GM 6/05	REV. 10/1/11 MAA/GM
	REV. 12/17 MAA/THC

DOCUMENT NOT CONSIDERED
FINAL UNLESS ALL
SIGNATURES COMPLETED

REVISIONS						SHEET NO.
NO.	BY:	DATE:	NO.	BY:	DATE:	TOTAL SHEETS
1			3			
2			4			

STD. NO. PCBB3